

Certified according to DIN EN ISO 9001

Technical Datasheet



ZHA Series Aluminium Gear Flow Meters

Technical Data	3
Pickups	4
Dimensional Drawings	5

Index

Index

Technical Data

ZHA Type	Measuring range, ltr./min			K-factor, pulses/ltr.	Pressure, bar	Weight, kg
ZHA 01/2	0.02	to	3	28,000	315	0.30
ZHA 02	0.1	to	7	8,400	315	0.38
ZHA 03	0.5	to	25	3,480	315	0.50
ZHA 04	0.5	to	70	950	315	4.00
ZHA 05	5	to	150	268	250	12.7
ZHA 06	20	to	500	106	250	16.8

* Complete part no. depends on pickup and O-ring.

Materials

- Housing: high-strength aluminium ALCuMgPb
- Gears: stainless steel as per DIN 1.4122/AISI 303 or
 1.4460/AISI 329 (special)
- Shafts, bearings: stainless steel
- O-ring: viton or teflon



Pickups

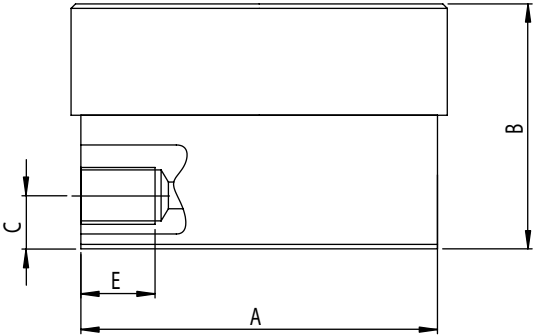
VHE and VHD for ZHA 01/2 to ZHA 04		
	VHE Single Hall Effect Sensor	VHD Dual Hall Effect Sensor
Supply voltage	12 to 30 VDC, max. 10 mA	12 to 30 VDC, max. 10 mA
Frequency range	1 to 3,000 Hz	1 to 3,000 Hz
Output	Square wave signal	Square wave signal double measuring frequency and reverse-flow detection
Output impedance	approx. 470 Ω	approx. 470 Ω
Temperature range	0 up to +70°C	0 up to +70°C
Electrical connection	5-pin plug 1 = Supply voltage 2 = Output signal 3 = 0V/GND 4 = nc 5 = nc	5-pin plug 1 = Supply voltage 2 = Output signal 1 3 = 0V/GND 4 = Output signal 2 5 = nc

IG 03 H for ZHA 05 to ZHA 06	
Minimum frequency	1 Hz
Maximum frequency	1 kHz
Output signal	squarewave pulses positive, 0.8 V below supply voltage
Pin connection	<p>A = 12-24 V B = 0 V C = signal</p>
Output impedance	approx. 470 Ω
Supply voltage	12-24 DC, max. 10 mA
Ambient temperature	0 to +75 °C during operation, -30 to +90 °C during storage

Dimensional Drawings (mm)

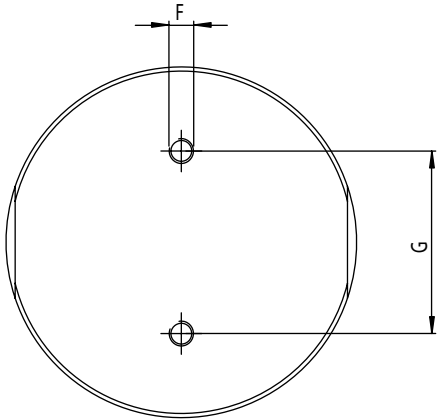
ZHA 01/2 to ZHA 05

Side view



Type	A	B	C	D	E
ZHA 01/2	72	55 KN/KL 49.7 81/DX	12	G 1/4"; 1/4" NPT KN	16; 13 KN
ZHA 02	80.5	55	12	G 1/4"; 1/4" NPT KN	16; 13 KN
ZHA 03	80.5	67	13	G 1/2"; 1/2" NPT KN	16; 17 KN
ZHA 04	121	107	19	G 1/2"; 3/4" NPT KN; G 3/4" A5	16
ZHA 05	170	133	22.5	G 1"	18

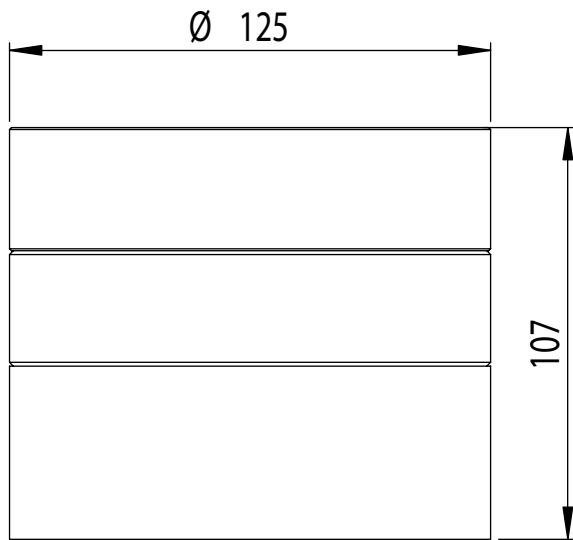
Bottom view



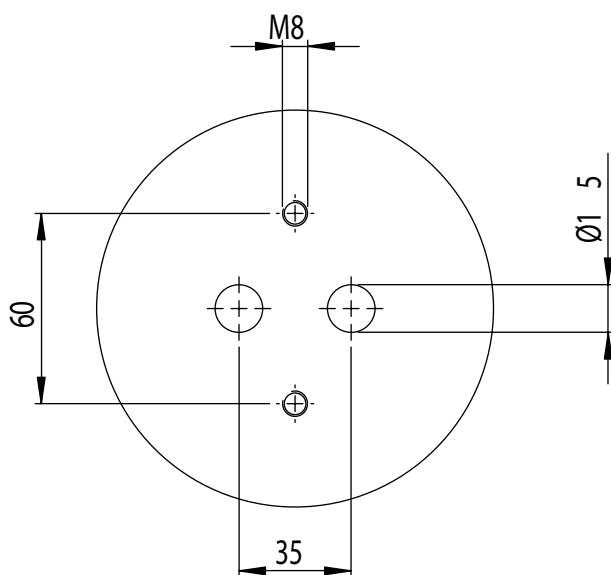
Type	G	F
ZHA 01/2	44	M6
ZHA 02	44	M6
ZHA 03	44	M6
ZHA 04	60	M8
ZHA 05	100	M8

ZHA 04 KB

Side view

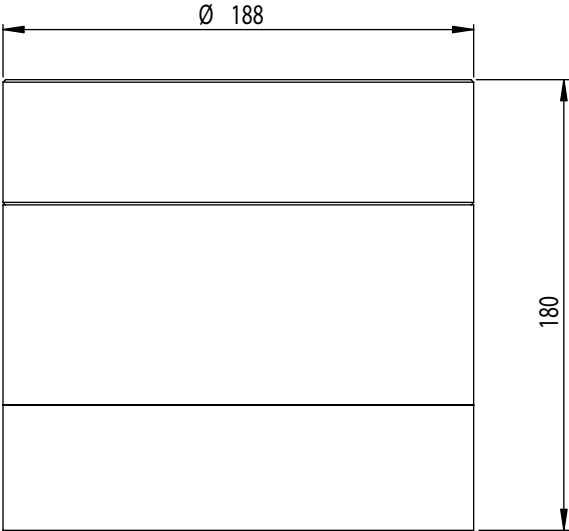


Bottom view

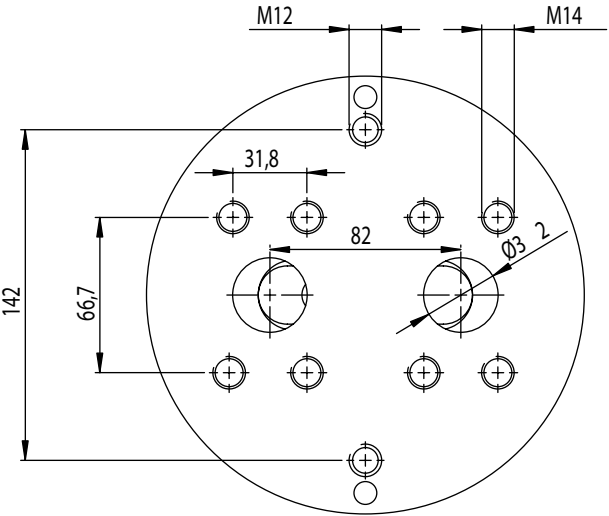


ZHA 06

Side view



Bottom view
bottom in- and outlet only



Contact worldwide**KEM-Headquarter**

Liebigstraße 2
D-85757 Karlsfeld
T. +49 8131 5 93 91 - 0
F: +49 8131 9 26 04
info@kem-kueppers.com

KEM-Office West

Im Langen Hahn 44
D-58515 Lüdenscheid
T. +49 2351 9 78 80
F: +49 2351 9 78 83 1
kem-west@kem-kueppers.com

KEM-Office South

Dahlienweg 35
D-73765 Neuhausen
T. +49 7158 98 56 82
F: +49 7158 98 56 83
kem-sued@kem-kueppers.com

Denmark

E. Eberhardt ApS
Bygstubben 6
DK-2950 Vedbæk
T. +45/45/89 33 66
info@eeberhardt.dk

Norway

Flow Teknikk as
Olav Brunborgsv. 27, Postboks 244
N-1377 Billingstad
T. +47/66/77 54 00
mail@flow.no

Singapore

Polyquip Engineering Pte Ltd
Blk 20 Woodlands Link #08-12
Woodlands East Industrial Est.
SGP- 738733 Singapur
T. +65/6753/79 97
sales@polyquip.com.sg

China

KEM China
Mr. Xiao Tianxiang
Rm.2429, JinYuan Office Building, No. 36,
CN- BeiYuan Road, Beijing 100012
T. +86/10/52 00 37 38
Shaw@kem-kueppers.com

Poland

Newtech Engineering
ul. Sowinskiego 3
PL-4-100 Gliwice
T. +48/32/237 61 98
newtech@newtech.com.pl

Slovakia

Bibus SK, s.r.o.
Priemysel'na 4
SK-949-01 Nitra
T. +421/377/41 25 25
gyenes@bibus.sk

Finland

Wexon Oy
Juhanilantie 4
FI-01740 Vantaa
T. +358/9/29 04 40
wexon@wexon.com

Portugal

Contimetra Departamento Indústria
R. Braamcamp 88-40 Dt0
P-1269-020 Lisboa
T. +351/213/86 05 00
contimetra@contimetra.com

Spain

Ortrat S.L.
Calle La Sofora 13 + 15
ES-28020 Madrid
T. +349/1/57 91 60 6
ortrat@ortrat.es

United Kingdom & Eire

KEM Küppers UK
2 Highfield Drive
Ickenham Uxbridge
UB10 8AL England
T. +44/1895/23 35 52
hans.rader@kueppers.co.uk

Russia

Michael Dueck
Industrievertretungen und Vertrieb
St.-Vither-Str. 12
D-50171 Kerpen
T. +49/2237/67 91 88
info@m-dueck.de

Taiwan

Yuden Electric Co.,Ltd
Taiwan Headquarter
5F, No.121 , Li De ST, JHONGHE TAIPEI
COUNTY 235, Taiwan ROC
T. +886/2/82 21 29 58
sales@yuden.com.tw

Hong Kong Area

Asia Technology and Instrument Ltd.
Unit 5, 9/F., Free Trade Centre
49 Tsun Yip Street, Kwun Tong
HK-Kowloon
T. +85/227/16 55 56
ati@ati.com.hk

Sweden

Pentronic AB
SE-590 93 Gunnebobruk
T. +46/490/25 85 00
info@pentronic.se

United States of America

AW-LAKE Company
Electronics for Instrumentation
8809 Industrial Dr.
Franksville, WI 53126, USA
T. +1/262/88 49 80 0
sales@aw-lake.com

Italy

Ingg. Vigo e Cova SAS
Piazzale Segrino 6/a
I-20159 Milano
T. +39/02/668 82 02
vigo.cova@vigocova.com

www.kem-kueppers.com
info@kem-kueppers.com